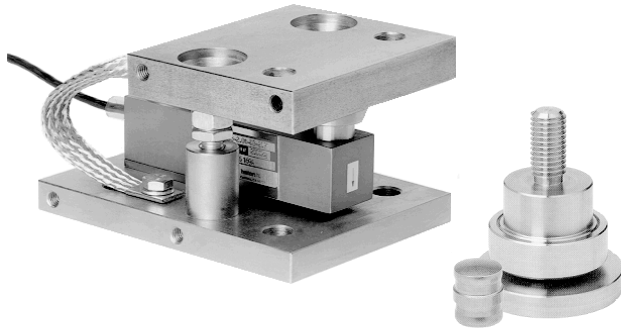


9123/5123 Self Aligning Accessories



FEATURES

- Capacities: 0.5 - 5t
- Hardened components at all load bearing surfaces
- Rocker pin load introduction
- Built in horizontal movement control and lift-off protection
- Load cell (re)placement after installation of the mount

OPTIONAL FEATURES

- Stainless steel or Nickel plated steel versions available
- Optional stay rod assembly

DESCRIPTION

The 9123/5123 self aligning silo mount, combined with the 9123/5123 load cell family, provides weighing assemblies suitable for process control, batch weighing, silo/hopper and belt scale applications.

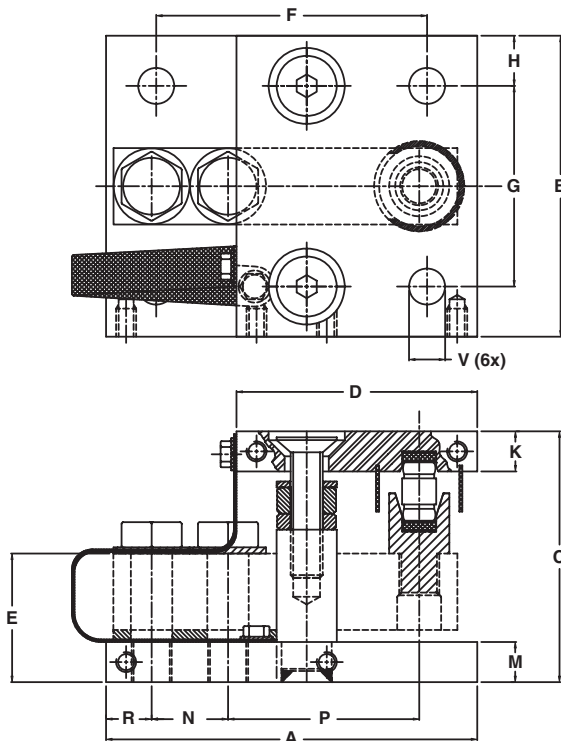
The 9123/5123 foot assembly is an ideal solution for medium and high capacity platform scales.

The 9123/5123 mount and foot are based on a rocker pin design, combining excellent load introduction to the transducer with an overall low profile. Hardened components are used at all load bearing surfaces. The stainless steel construction guarantees long term reliability, even in the most harsh of environments.

APPLICATIONS

- Process control
- Batch weighing
- Silo/hopper weighing

OUTLINE DIMENSIONS in millimeters



| Capacity | 0.5t - 2t | 5t |
|----------|-----------|------|
| A | 160 | 185 |
| B | 120 | 150 |
| C | 90 | 125 |
| D | 100 | 120 |
| E | 50.8 | 64 |
| F | 100 | 135 |
| G | 80 | 100 |
| H | 20 | 25 |
| K | 20 | 20 |
| M | 15 | 20 |
| N | 25.4 | 38.1 |
| P | 76.2 | 95.3 |
| R | 32.2 | 22.7 |
| V | Ø14 | Ø18 |

Model 9123/5123 Mount

Vishay Revere

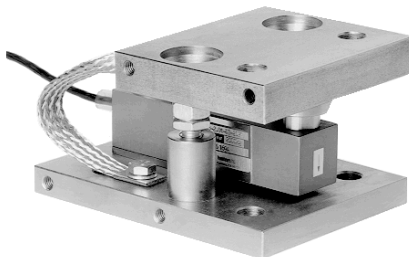
9123/5123 Self Aligning Accessories



ACCESSORIES

Self Aligning Mount

The 9123/5123 mount permits controlled horizontal movement in all directions. The design allows the load cell to be (re)placed after installation of the mount. The critical load introduction area is mechanically protected.



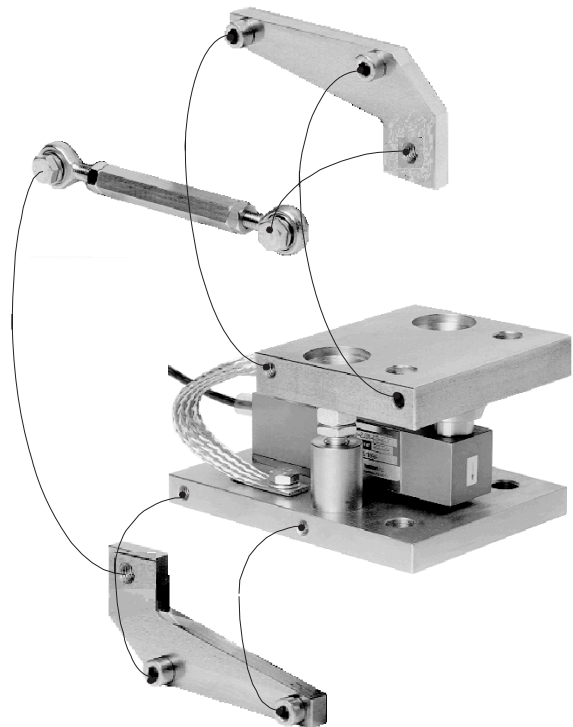
Height Adjustable Foot

The stainless steel foot, which has approx. 10mm height adjustment, provides excellent load introduction to the load cell. The foot allows flexibility in platform design without compromising overall system performance.



Stay Rod Assembly

If major load movement is anticipated stay rods should be used to restrain a vessel or platform. The 9123/5123 stay rod assembly can be bolted to the mount prior to or after its installation.



| FURTHER INFORMATION | | Height, assembly + 9123/5123 (0.5 - 2t) | | Height, assembly + 9123/5123 (5t) | |
|---------------------|---------------------|--|---------------|--------------------------------------|---------------|
| Self Aligning Mount | mm | 90 | | 125 | |
| Height Adj. Foot | mm | 71+10 | | 101+10 | |
| Mount / Foot | Assembly guidelines | Outline drawing (0.5 - 2t) | | Outline drawing (5t) | |
| | | Stainless steel | Nickel plated | Stainless steel | Nickel plated |
| Self Aligning Mount | AG 10/06-103/02 | 499057-10 | 499057-00 | 499058-10 | 499058-00 |
| Stay Rod Assembly | AG 09/06-200/02 | 499068-10 | 499068-00 | 499069-10 | 499069-00 |
| Height Adj. Foot | | 499081 | - | 499082 | - |

VISHAY TRANSDUCERS (VT) SALES OFFICES

VT Americas
City of Industry, CA
PH: +1-626-858-8899
FAX: +1-626-332-3418
vt.us@vishaymg.com

VT Netherlands
Breda
PH: +31-76-548-0700
FAX: +31-76-541-2854
vt.nl@vishaymg.com

VMG UK
Basingstoke
PH: +44-125-646-2131
FAX: +44-125-647-1441
vt.uk@vishaymg.com

VMG Israel
Netanya
PH: +972-9-863-8888
FAX: +972-9-863-8800
vt.il@vishaymg.com

VMG Germany
Heilbronn
PH: +49-7131-3901-260
FAX: +49-7131-3901-2666
vt.de@vishaymg.com

VT China
Tianjin
PH: +86-22-2835-3503
FAX: +86-22-2835-7261
vt.prc@vishaymg.com

VMG France
Chartres
PH: +33-2-37-33-31-20
FAX: +33-2-37-33-31-29
vt.fr@vishaymg.com

VT Taiwan*
Taipei
PH: +886-2-2696-0168
FAX: +886-2-2696-4965
vt.roc@vishaymg.com
*Asia except China

Single Ended Beam Load Cell



FEATURES

- Capacities: 500 - 5000kg, 1K -10Klbs
- Low profile construction
- Certified to OIML R-60, 4000d and NTEP III, 5000 divisions
- Sealing: IP67 (DIN 40.050)
- Stainless steel construction
- Threaded load hole

OPTIONAL FEATURE

- FM certified for use in potentially explosive atmosphere



DESCRIPTION

The 9123 is a low profile single ended shear beam type load cell. The 9123 is stainless steel.

These products are suitable for small and medium platform scales, overhead track scales, hopper scales and process weighing applications.

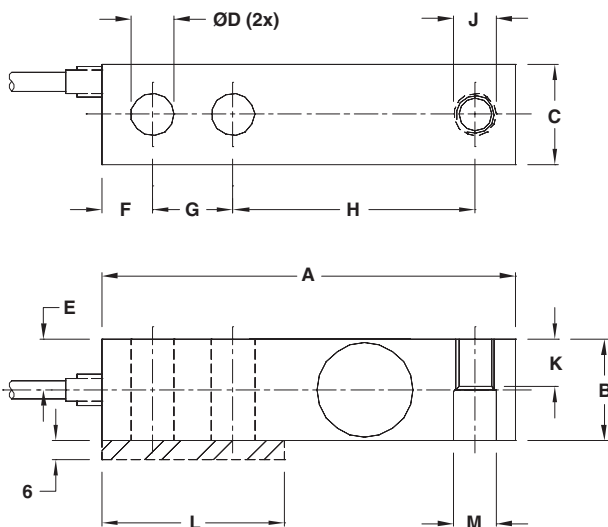
Reliable sealing is ensured by the proprietary TRANSEAL potting compound and additional mechanical protection of the strain gage area.

Ease of installation is made possible through the use of a partially threaded hole to accept levelling feet, load buttons or loading cables.

APPLICATIONS

- Low profile platforms
- Pallet truck weighing
- Tank and silo weighing

OUTLINE DIMENSIONS in millimeters



Cable specifications:

- Cable length: 6 m
- Excitation + Red
- Excitation - Black
- Output + Green
- Output - White
- Shield Transparent

Cable screen is not connected to load cell body. Performance may be affected if load cell cables are shortened.

| Capacity | Dimensions in mm | | Dimensions in inches | |
|----------|------------------|------------|----------------------|------------|
| | 0.5t - 2t | 5t | 1K - 4K | 5K - 10K |
| A | 130.0 | 171.5 | 5.12 | 6.75 |
| B | 31.5 | 37.8 | 1.23 | 1.45 |
| C | 31.8 | 38.1 | 1.23 | 1.45 |
| ØD | 13.5 | 20.7 | 0.53 | 0.78 |
| E | 15.7 | 19.1 | 0.62 | 0.72 |
| F | 15.7 | 19.1 | 0.62 | 0.75 |
| G | 25.4 | 38.1 | 1.00 | 1.50 |
| H | 76.2 | 95.3 | 3.00 | 3.75 |
| J | M12x1.75-6H | M20x2.5-6H | ½-20UNF-2B | ¾-16UNF-2B |
| K | 15.7 | 19.1 | 0.62 | 0.75 |
| L | 57.2 | 76.2 | 2.25 | 3.00 |
| ØM | 13.5 | 20.7 | 0.53 | 0.78 |

**SPECIFICATIONS**

| PARAMETER | VALUE | | | | UNIT |
|--|-------------------------|--------------|-------------------------------|-----------------|-------------------------|
| Standard capacities (E_{max}) | 500, 1000, 2000, 5000* | | | | kg |
| Standard capacities (E_{max}) | 1K, 2.5K, 4K, 5K, 10K* | | | | lbs |
| Accuracy class according to OIML R-60 /NTEP | NTEP III | Non-Approved | C3 | C4 | |
| Max. no. of verification intervals | 5000 | | 3000 | 4000 | |
| Min. verification interval ($V_{min}=E_{max}/Y$) | | | $E_{max}/6000$ | $E_{max}/8000$ | |
| Min. verification interval, type MR | | | $E_{max}/10000$ | $E_{max}/18000$ | |
| Rated output (=S) | 3 | | | | mV/V |
| Rated output tolerance | 0.003 | | | | \pm mV/V |
| Zero balance | 1.0 | | | | \pm % FSO |
| Combined error | 0.0200 | 0.050 | 0.023 | 0.018 | \pm % FSO |
| Minimum dead load output return | 0.0250 | 0.050 | 0.017 | 0.013 | \pm % applied load |
| Non-repeatability | 0.0100 | 0.070 | 0.035 | 0.026 | \pm % FSO |
| Creep error (30 minutes) | | 0.060 | 0.025 | 0.018 | \pm % applied load |
| Temp. effect on min. dead load output | (0.0008) | 0.0250 | 0.0120 | 0.0088 | \pm % FSO/5°C (°F) |
| Temp. effect on min. dead load output, type MR | | | 0.0070 | 0.0039 | \pm % FSO/5°C |
| Temperature effect on sensitivity | (0.0010) | 0.0250 | 0.0088 | 0.0065 | % applied load/5°C (°F) |
| Minimum dead load | 0 | | | | % E_{max} |
| Maximum safe over load | 150 | | | | % E_{max} |
| Ultimate over load | 300 | | | | % E_{max} |
| Maximum safe side load | 100 | | | | % E_{max} |
| Deflection at E_{max} | 0.4/ 0.8/ 1.0/ 1.1 - kg | | 0.4/ 0.8/ 1.0/ 0.9/ 1.1 - lbs | | mm |
| Excitation voltage | 5 to 12 | | | | V |
| Maximum excitation voltage | 15 | | | | V |
| Input resistance | 350 \pm 3.5 | | | | Ω |
| Output resistance | 350 \pm 3.5 | | | | Ω |
| Insulation resistance | \geq 5000 | | | | M Ω |
| Compensated temperature range | -10 to +40 | | | | °C |
| Operating temperature range | -40 to +80 | | | | °C |
| Storage temperature range | -50 to +90 | | | | °C |
| Element material | Stainless steel | | | | |
| Sealing (DIN 40.050 / EN60.529) | IP67 | | | | |
| Recommended torque on fixation bolts | 0.5 - 2t & 1K - 4K: 149 | | 5K & 5t and over: 271 | | N*m |

* 5t and 10K are not approved by OIML

FSO-Full Scale Output

Correct mounting of the load cell is essential to ensure optimum performance. Further information is available on request.

VISHAY TRANSDUCERS (VT) SALES OFFICES

VT Americas
City of Industry, CA
PH: +1-626-858-8899
FAX: +1-626-332-3418
vt.us@vishaymg.com

VT Netherlands
Breda
PH: +31-76-548-0700
FAX: +31-76-541-2854
vt.nl@vishaymg.com

VMG UK
Basingstoke
PH: +44-125-646-2131
FAX: +44-125-647-1441
vt.uk@vishaymg.com

VMG Israel
Netanya
PH: +972-9-863-8888
FAX: +972-9-863-8800
vt.il@vishaymg.com

VMG Germany
Heilbronn
PH: +49-7131-3901-260
FAX: +49-7131-3901-2666
vt.de@vishaymg.com

VT China
Tianjin
PH: +86-22-2835-3503
FAX: +86-22-2835-7261
vt.prc@vishaymg.com

VMG France
Chartres
PH: +33-2-37-33-31-20
FAX: +33-2-37-33-31-29
vt.fr@vishaymg.com

VT Taiwan*
Taipei
PH: +886-2-2696-0168
FAX: +886-2-2696-4965
vt.roc@vishaymg.com
*Asia except China